

Rösler service

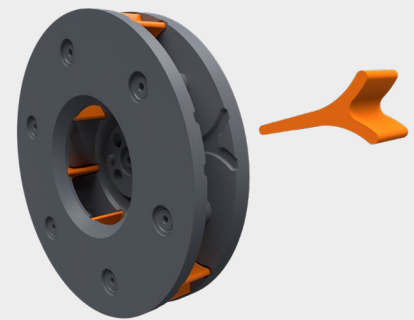
## Blast turbine technology

The turbines are the most critical components of shot blasting machines. They influence the shot blasting results, are the highest users of wear parts and require extensive maintenance.

With our broad range of different turbines we can offer the optimal solution for practically any application.

### RUTTEN – The “long-life” turbines

- ▶ The precisely calculated curvature of the throwing blades guarantees maximum throwing speeds, a precise blast pattern and optimum operational efficiency
- ▶ Up to 25 % more energy-efficient blast media acceleration
- ▶ Throwing blades, made from wear resistant steel alloys, guarantee a high uptime
- ▶ Their special design allows the use of both sides of the throwing blades
- ▶ Easy change of the rotational direction of the turbines
- ▶ Depending on the blast media 10 to 16 times higher blade uptimes



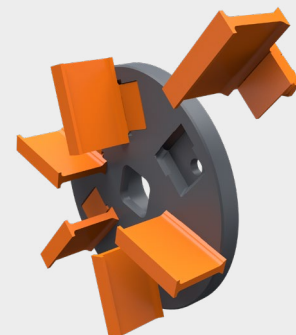
### GAMMA G – Easy to maintain

- ▶ The precisely calculated curvature of the throwing blades guarantees extremely high throwing speeds, a precise blast pattern and optimum operational efficiency
- ▶ Up to 15 % more energy-efficient blast media acceleration
- ▶ Special throwing blades, made from forged tool steel, guarantee a high uptime
- ▶ Easy change of the rotational direction of the turbines
- ▶ Their special design allows the use of both sides of the throwing blades
- ▶ Depending on the blast media 3 times higher blade uptimes
- ▶ Opening of the top lid of the turbine housing allows easy access for changes of the throwing blades



### HURRICANE – Highly flexible

- ▶ Available in cast, tool steel and carbide metal versions
- ▶ Wide choice of different wear parts allows easy adaptation to different shot blasting requirements
- ▶ Modern, single disk turbine wheel with fewer wear parts allows quick and easy maintenance
- ▶ The clever design does not require any internal bolts



## EVOLUTION – High blast media throughput

- ▶ Specially designed for high blast media throughputs
- ▶ Twin disk turbine wheel ensures a dense blast pattern for highly efficient shot blasting
- ▶ The clever design does not require any internal bolts
- ▶ Clockwise and counterclockwise rotation allows a variety of applications

