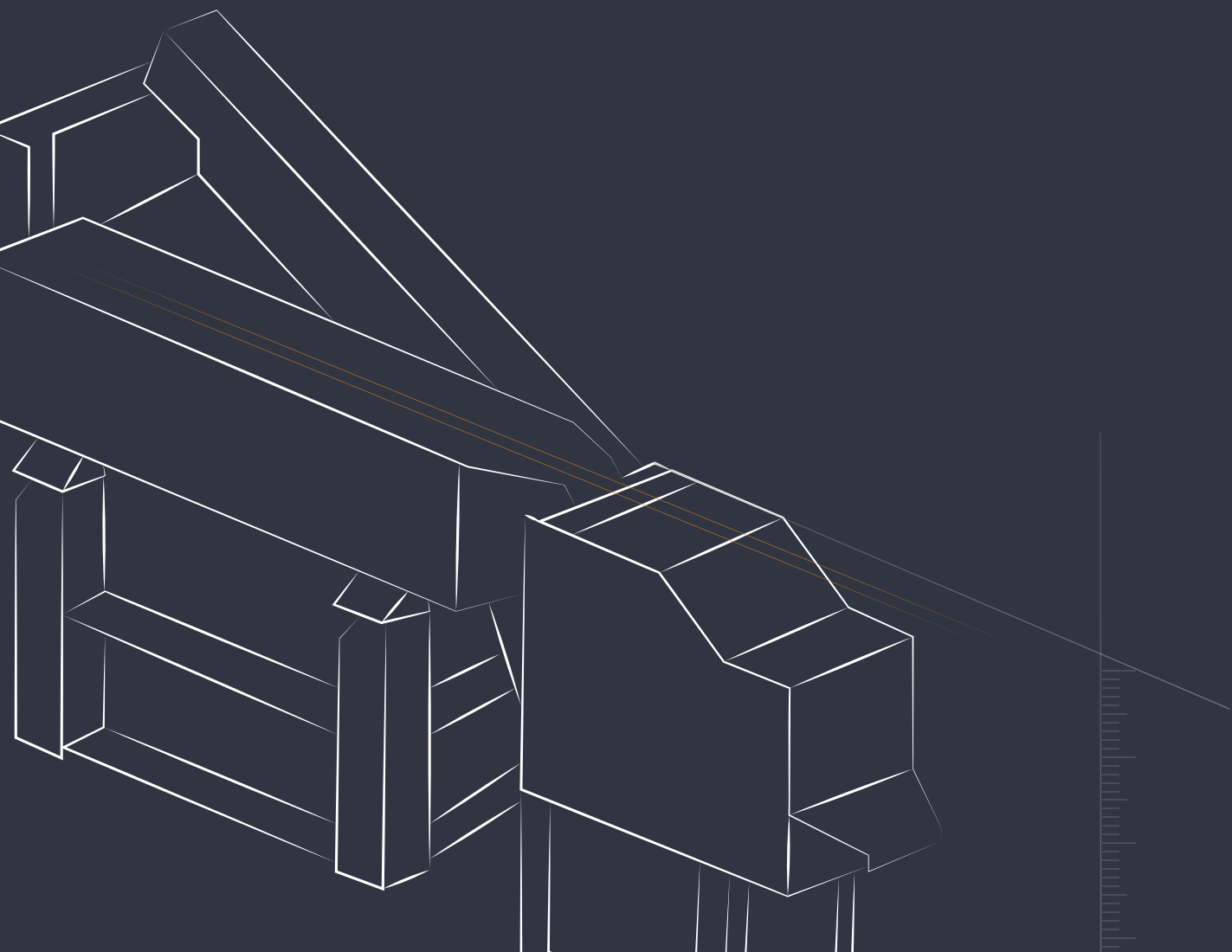


Continuous flow systems – Perfect results with continuous work piece flow

Linear continuous flow installations

Rotomatic

Long Radius

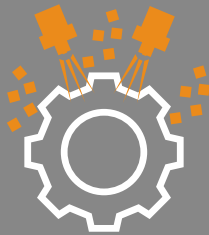


Mass Finishing



High-performance equipment and innovative technologies – productive and cost-effective

Shot Blasting



Customer-oriented equipment technology and intelligent process solutions – long-lasting and energy-efficient

AM Solutions



Comprehensive solutions for additive manufacturing, especially 3D post processing equipment

>80

More than 80 years of **experience**



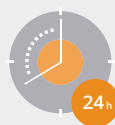
15 locations –
over **150** distributors –
over **1,500** employees **across the globe**



Worldwide **Customer Experience Center**



More than **15,000**
different types of media and compounds



Our technical service –
round-the-clock support



Transfer of professional knowledge
by certified trainers

Contents

Rösler finishing systems with continuous work piece flow	4 - 5
Linear continuous flow installations	
Design details	6 - 7
The processing unit	8 - 9
Linear-Flow-Power	10 - 11
Rotomatic	
Design details	12 - 13
Special features guarantee perfect results	14 - 15
Rotomatic-Power	16 - 17
Long Radius	
Design details	18 - 19
Special features guarantee perfect results	20
Long Radius – Equally productive as stand-alone machine or in an interlinked system	21
Tailormade equipment configurations	22 - 23
Rösler Smart Solutions	24
Media and compounds	25
Customer Experience Center Mass Finishing	26
Learning from the global leader	27

RÖSLER FINISHING SYSTEMS WITH CONTINUOUS WORK PIECE FLOW –

Efficient surface finishing with a high degree of automation

Modern continuous flow mass finishing systems can be easily integrated into manufacturing operations with indexing or continuous work piece flow. The highly intensive finishing process and a high work piece throughput ensure perfect results and high cost-efficiency.

The machines with rectangular, round or spiral-shaped processing channels are equally effective as stand-alone surface finishing cells or as part of integrated manufacturing systems.

Functional description

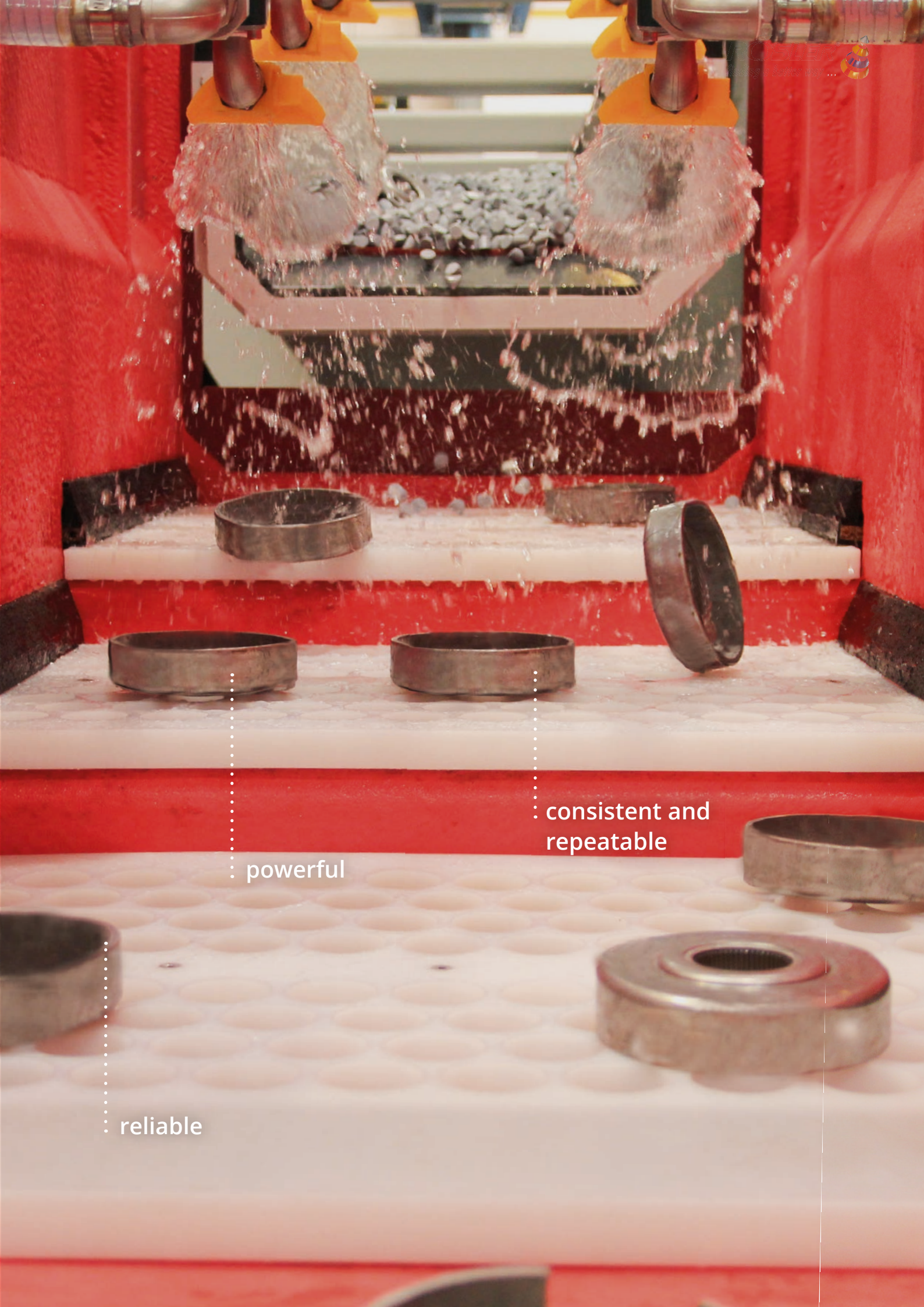
A suitable loading system transfers the raw work pieces in continuous flow into a U-shaped processing bowl that is filled with grinding or polishing media. The induced vibration causes a spiral movement of the media/work piece mix and an intensive “rubbing” effect between the media and work pieces. Operational criteria like pass-through time or the grinding, respectively, polishing intensity can be adjusted with parameters such as inclination of the processing bowl, setting of the imbalance weights and RPM of the vibratory drive system. After completion of the finishing process the processing media and finished work pieces are separated from each other in an integrated separation station. During the separation phase the work pieces are also rinsed off before they are transferred to downstream manufacturing operations.



Applications

Continuous flow systems offer not only high productivity and cost efficiency but also a high degree of automation. They are equally suitable for deburring, edge radiusing, surface grinding and ball burnishing of stampings, castings, forgings or machined components.





powerful

consistent and
repeatable

reliable

LINEAR CONTINUOUS FLOW INSTALLATIONS –

Design details

Equipped with a powerful Rösler vibratory drive and designed for continuous work piece flow, this machine type allows fully automatic mass finishing operations. Perfectly adapted equipment components and state-of-the-art electronic controls

guarantee excellent results and a high degree of reliability – even under the most difficult operating conditions.

1 Processing bowl

The welding construction with re-enforcing gussets is designed to withstand severe vibrations

- ▶ Annealed to relieve stress in the weldment
- ▶ Lining choosable out of wear-resistant rubber or polyurethane
- ▶ Dosing of the process water across the entire length of the processing channel
- ▶ Discharge of the process water with multiple large and easily replaceable bottom screens

2 Inlet chute for the processing media

A large inlet chute, firmly attached to the processing bowl, allows quick and safe return of the processing media into the bowl. The special chute design does not affect the usable length of the processing bowl, which ensures a high work piece throughput.

- ▶ Gentle media transfer due to minimal drop heights, also suitable for ceramic media

3 Special outlet chute

- ▶ The outlet chute, designed in line with fluid mechanics principles, can be individually adjusted for different finishing tasks, work piece shapes, sizes and weights
- ▶ Outlet chute in the processing bowl with patented media discharge gate

4 High-capacity vibratory screening machine

- ▶ Adjustable imbalance settings and RPM of the vibratory drive (optional)
- ▶ Multi-level screen decks; easy and quick screen change with no special tools
- ▶ Optional: Single level screen deck
- ▶ Optional: Integrated screen for discharging undersized media
- ▶ Optional: Magnetic separator
- ▶ Optional: inverted separation unit

5 Return of the media into the processing bowl

Easy adjustment to different media shapes and quantities. Transport system consists of the following components:

- ▶ Vibratory cross conveyor integrated into the separation unit. Equipped with special drain for residual process water
- ▶ Media return belt conveyor with integrated discharge system for residual process water
- ▶ Vibratory cross conveyor at the inlet of the processing bowl

6 Process water handling / pneumatic system

- ▶ Central supply station for process water and compound(s)
- ▶ Adjustable work piece rinsing system
- ▶ Rinsing system and process water supply managed by special control valves

7 Easy to handle equipment controls

State-of-the-art PLC technology allows fully automatic operation

- ▶ Administration of the processing programs
- ▶ Display of equipment faults and other messages
- ▶ Optional: Variable RPM of the various drive systems
- ▶ Optional: MPI interface for linking multiple machines
- ▶ Optional: System for the collection of manufacturing and equipment data

8 Safety enclosure

- ▶ Safety enclosures can be quickly disassembled and easily maintained. Designed in line with German accident prevention standards. Multiple inspection openings.
- ▶ Extra: Inspection platform for the processing bowl

Inclination system for the processing bowl

- ▶ Inflatable air cushions absorb the vibration from the processing bowl – no vibration transfer to the machine base!
- ▶ Variable inclination of the processing bowl allows processing times between 4 and 30 minutes
- ▶ Special control system for the inclination of the processing bowl
- ▶ Homogeneous and optimal spiral movement of the media/work piece mix over the entire length of the processing bowl

Change of the processing media

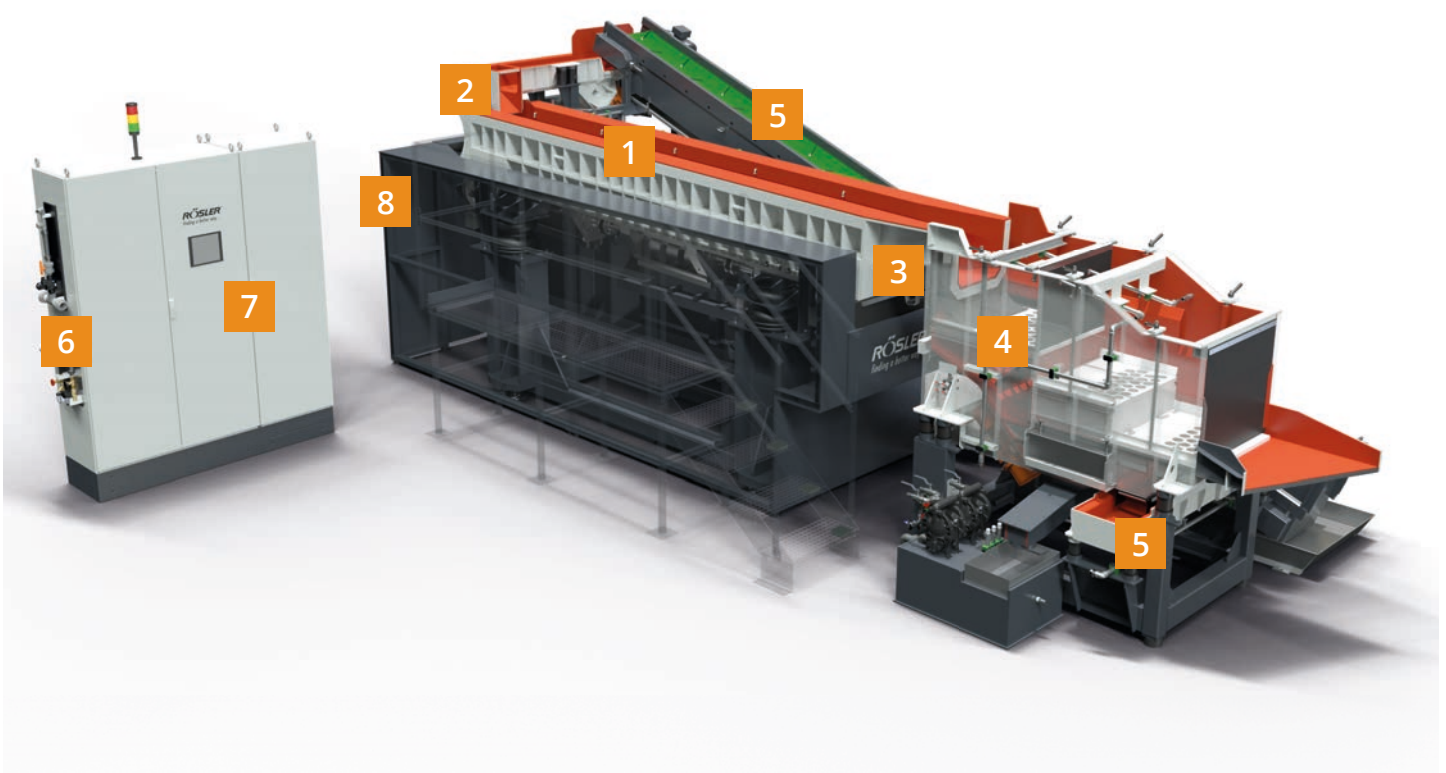
- ▶ Optional: Media discharge belt for transferring the media from the processing bowl to a storage bin

Vibratory drive

- ▶ Powerful Rösler vibratory motor
- ▶ Drive shaft with adjustable imbalance weights across the entire length of the processing bowl
- ▶ On-demand fully automatic, electronically controlled supply of lubricants to the vibratory drive

Machine base frame

- ▶ Torsion resistant, sturdy weldment, annealed for stress relief
- ▶ Machine placed on vibration absorbing pads

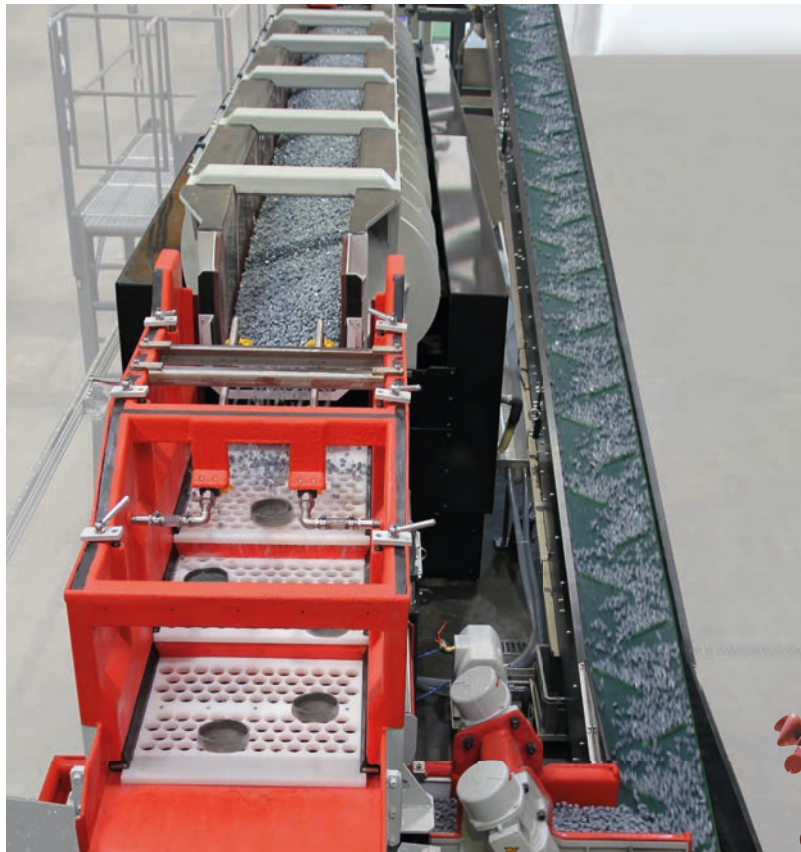


THE PROCESSING UNIT –

Optimized to the last detail – perfect results

At the center of the Linear continuous flow installation is the U-shaped processing bowl – with one curved side wall. This specific shape ensures a perfect movement of the media/work piece mix and guarantees excellent finishes in compliance with the strictest quality requirements. The outlet chute of the

processing bowl can be adapted to different finishing tasks, for example, for treating large, bulky and heavy work pieces.

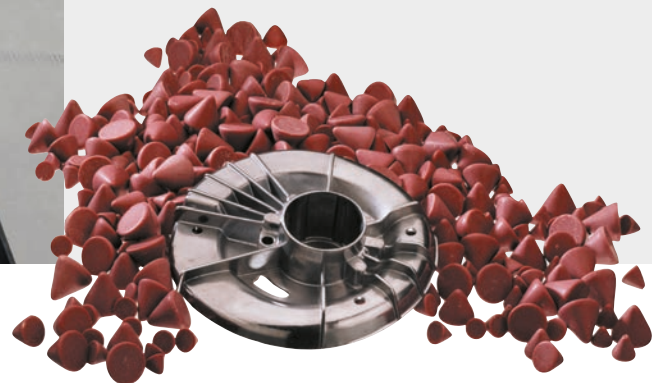


Excellent engineering

Step-free inclination of the processing bowl as well as variable settings of the imbalance weights and motor RPM allow a wide range of processing times. For example, a larger bowl inclination results in faster pass-through times.

The equipment performance is determined by the following machine parameters:

- ▶ Size of the processing bowl
- ▶ Inclination angle
- ▶ Vibration intensity ("amplitude") and RPM



Clean work pieces – minimal consumption of valuable resources

While being separated from the media in the separation unit, the finished work pieces are simultaneously rinsed off with cleaned process or fresh water. The multiple use of the process water – for the finishing process and for the rinse operation – saves valuable water resources (Öko-Plus water cleaning system).

Programmable travel times through the processing bowl

Sensors monitor the inclination angle of the processing bowl. This allows calling up individually adjustable processing times at the PLC.



Horizontal position of the processing bowl – medium processing time



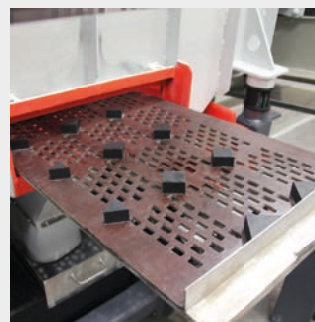
Inclination from rear to front – faster processing times



Inclination from front to rear – longer processing times

Reliable undersized media discharge

An insertable undersized media screen discharges worn, small media that could get lodged in the work pieces. Optimal accessibility and the design of the self-cleaning screen ensure excellent functionality and guarantee an optimal media mix in the processing bowl.



Undersized media screen

Optimal maintenance

On-demand supply of lubricants to all motor bearings, electronically controlled by the maintenance software in the PLC

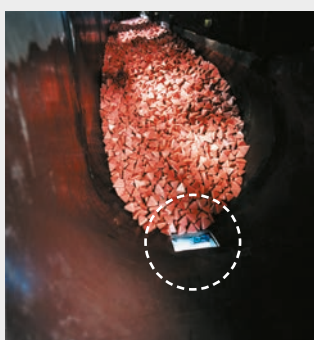


Central lubrication system equipped with progressive distribution

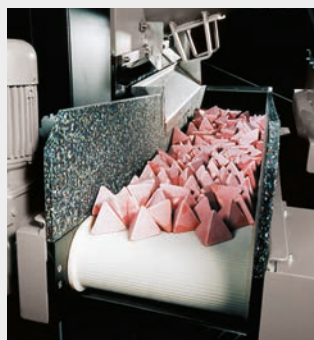
Minimal setup times

The media exchange system, in combination with the inclination feature of the processing bowl, allows a quick exchange of the processing media.

Media exchange



Discharge opening



Conveyor belt for media discharge

Safe operation

Upon special request we supply noise absorbing cabins that are custom engineered to your individual space requirements. They serve as protection against all equipment hazards and help to significantly reduce the ambient noise level.

LINEAR FLOW POWER – TAILORMADE FOR YOUR SURFACE FINISHING CHALLENGES

The range of Linear continuous flow installations from Rösler includes numerous models with different widths and lengths of the processing bowls. Special machine versions allow ball burnishing with steel media and high-speed finishing operations

with motor speeds of 3,000 RPM. You can learn more about the excellent performance of our machines through a visit in one of our Customer Experience Centers (CEC).

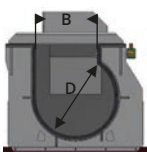
Model range – Linear continuous flow installations (1,500 RPM)

Specifications

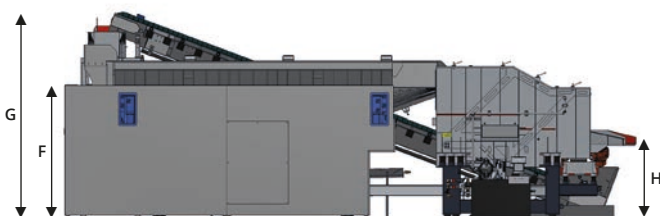
Model	R 425/4600 DA	R 425/6600 DA	R 550/4600 DA	R 550/6600 DA
A (mm)	4,600	6,600	4,600	6,600
B (mm)	335	335	445	445
C (mm)	2,500	2,500	2,500	2,500
D (mm)	425	425	550	550
E (mm)	7,380	9,550	8,170	10,650
F (mm)	2,000	2,610	2,260	2,260
G (mm)	2,740	3,345	2,930	2,980
H (mm)	1,010	1,300	1,070	1,070
Total installed power (kW)	22.3	22.3	25.1	29.1
Power vibratory drive (kW)	18	18	18	22

Specifications

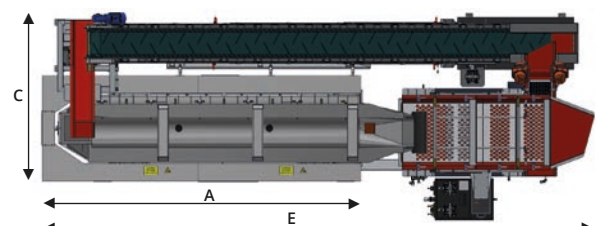
Model	R 650/4600 DA	R 650/6600 DA	R 850/4600 DA	R 850/6600 DA
A (mm)	4,600	6,600	4,600	6,600
B (mm)	490	490	675	675
C (mm)	2,500	2,500	3,200	3,200
D (mm)	650	650	850	850
E (mm)	8,110	9,570	8,390	10,460
F (mm)	2,230	2,230	2,550	2,550
G (mm)	2,930	2,895	3,395	3,355
H (mm)	1,070	1,005	1,180	1,260
Total installed power (kW)	25.1	29.1	48.72	48.72
Power vibratory drive (kW)	18	22	40	40



Cross section processing bowl



Side view

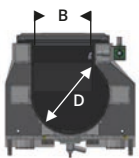


Top view

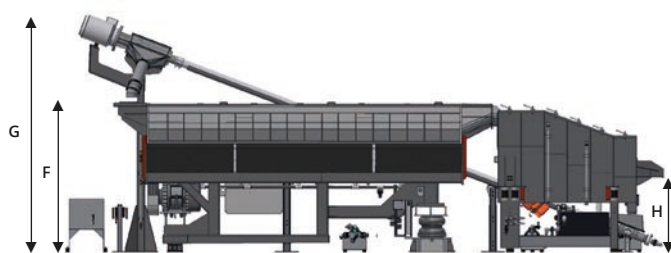
Model range - Linear continuous flow installations KP (3,000 RPM)

Specifications

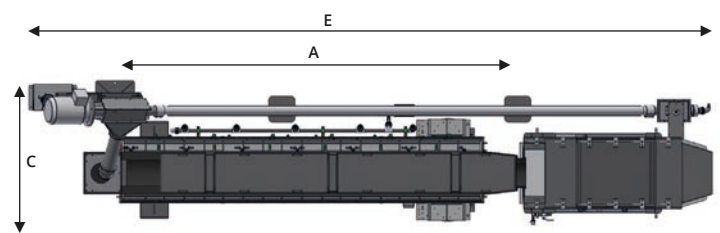
Model	R 350/4400 DA/KP	R 350/6400 DA/KP
A (mm)	4,400	6,400
B (mm)	300	300
C (mm)	1,560	1,510
D (mm)	350	350
E (mm)	7,630	9,700
F (mm)	1,870	1,960
G (mm)	3,050	2,825
H (mm)	990	970
Total installed power (kW)	24	24
Power vibratory drive (kW)	18.5	18.5



Cross section processing bowl



Side view



Top view

THE ROTOMATIC-SYSTEM

Design details

Continuous, first in/first out operation in a compact finishing system: Rösler developed the Rotomatic systems for processing delicate work pieces in continuous flow. The spiral-shaped processing bowl with a maximum length of 27 meters and

different channel widths allows a wide range of finishing applications.

1 Processing bowl

- ▶ Sturdy, torsion resistant weldment
- ▶ Annealed to relieve stress in the weldment
- ▶ Discharge of the process water with multiple large and easily replaceable bottom screens, arranged across the entire length of the processing bowl
- ▶ Processing bowl sitting on special coil springs
- ▶ Discharge gate for quick media exchange
- ▶ Lining with wear-resistant special polyurethane

2 Vibratory drive

- ▶ Rösler direct drive, double flange vibratory motor
- ▶ Adjustable imbalance weights
- ▶ Step-free RPM adjustment with frequency inverter

3 Machine base frame

- ▶ Torsion resistant, sturdy weldment, annealed for stress relief
- ▶ Maintenance door
- ▶ Special steel channels facilitate transport of the machine
- ▶ Machine placed on vibration absorbing pads

4 High-capacity vibratory screening machine

- ▶ Imbalance weight settings and RPM of the vibratory system are adjustable
- ▶ Multi-level screen decks; easy and quick screen change with no special tools
- ▶ Easily accessible undersized media screen
- ▶ Rinsing system for the finished work pieces
- ▶ Optional: Magnetic separator
- ▶ Optional: Reverse screening

5 Return of the media into the processing bowl

Easy adjustment to different media shapes and quantities. Transport system consists of the following components:

- ▶ Vibratory cross conveyor integrated into the separation unit. Equipped with special drain for residual process water
- ▶ Media return belt conveyor in "Z" shape to minimize drop heights, variable transport speed
- ▶ Drainage of the residual water to a pump station

6 Process water handling

- ▶ Central supply station for process water and compound(s)
- ▶ Controls for the work piece rinsing system integrated into the vibratory screening machine

7 Easy to handle equipment controls

State-of-the-art PLC technology allows fully automatic operation

- ▶ Multifunctional operating panel with text display of equipment faults and other messages
- ▶ Allows the creation of individual processing programs
- ▶ MPI interface
- ▶ Optional: Transfer block for manufacturing and equipment data

8 Undersized media discharge

Continuous discharge of undersized media with special screen

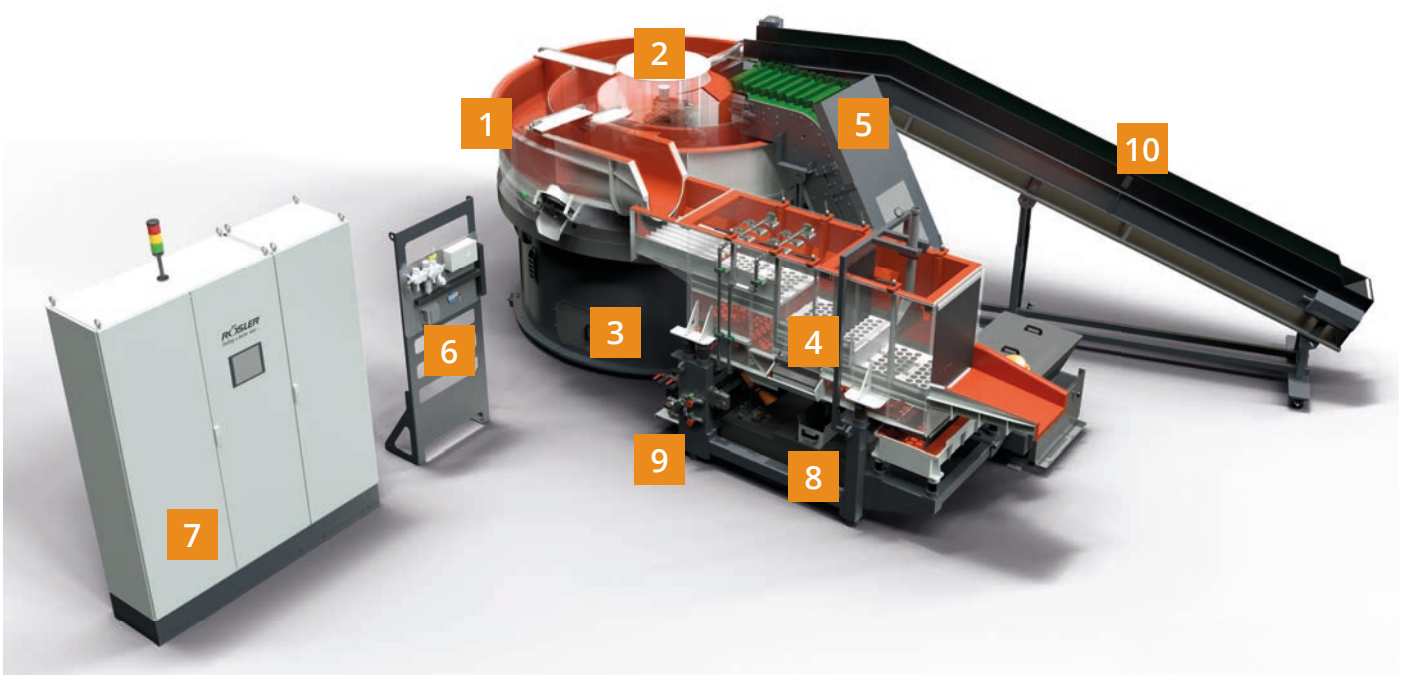
- ▶ Insertable screen, no tools required for a screen change

9 Central lubrication

- ▶ Electronically controlled on-demand supply of lubricants to the vibratory motor

10 Work piece loading

- ▶ Transport belts, vibratory conveyors, robots, etc. allow the creation of individual work piece loading solutions



SPECIAL FEATURES GUARANTEE PERFECT RESULTS

Separation

Gentle and consistent separation of high-value work pieces

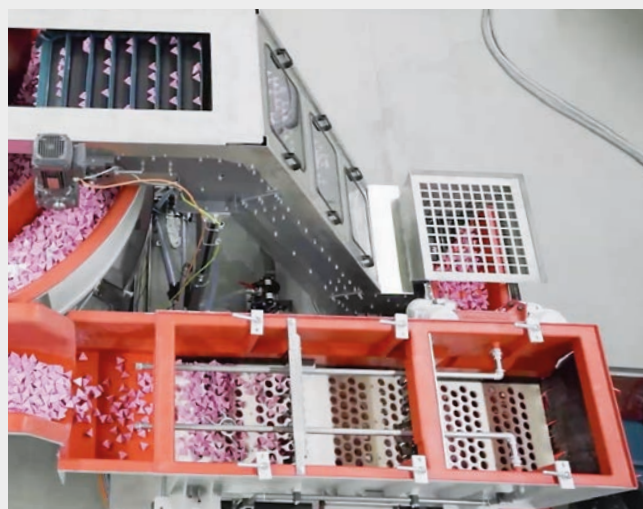
The continuous, safe separation of the finished work pieces from the media is critical for machine performance and work piece quality. For this reason, the vibratory separation units in our Rotomatic systems are equipped with extra-large, multi-level screen decks.

With its special geometry the screening unit of the Rotomatic system guarantees universal and efficient separation of the work pieces from the media.

Precise, flexible and quick...

The vibratory separation unit, powered by vibratory motors with flexible RPM, is completely independent from the finishing machine. This guarantees optimal, quick work piece separation with continuous or indexing work piece flow, irrespective of the processing intensity.

- ▶ Seamless lining of the side walls with noise absorbing, as well as wear and corrosion resistant polyurethane
- ▶ Separation unit equipped with screen decks of different heights. This facilitates the removal of processing media from cup shaped work pieces
- ▶ Quick-connect separation screens can be exchanged without special tools. This allows flexible adaptation to any separation task
- ▶ The delicacy and geometrical complexity of the work pieces determine the separation speed, which can be easily adjusted
- ▶ Integrated rinse station for rinsing off the finished work pieces

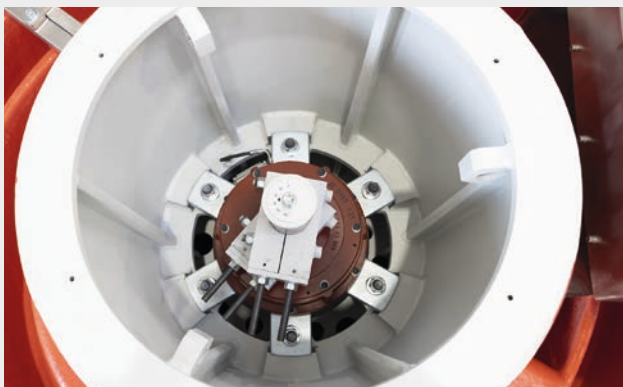


Optimal magnetic separation

The effective separation of finished work pieces and media determines the overall equipment performance as well as the work piece quality. In case of ferromagnetic work pieces our Rotomatic systems can be equipped with magnetic separation. Our modern magnetic separators allow a highly adaptable and efficient separation.



Vibratory drive

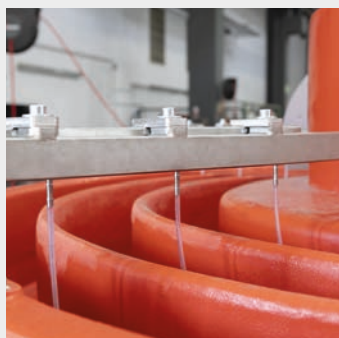


Processing bowl with special vibratory motor

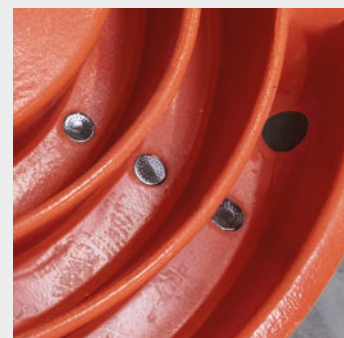
The powerful direct drive vibratory motor was specially developed by RÖSLER®. The proven double flange mounting system guarantees the highly efficient transfer of the vibratory energy to the processing channels. Easy access to the adjustable imbalance weights allows quick changes of the vibratory intensity. The stepless adjustment of the motor RPM by frequency inverter offers additional operational flexibility.

Technical details that count...

Multiple process water supply nozzles, evenly distributed across the entire processing channel, guarantee an absolutely consistent finishing performance. Easily replaceable water drains, placed at the lowest point of the processing channel, guarantee effective discharge of the process water from the processing bowl.



Process water supply



Bottom drains

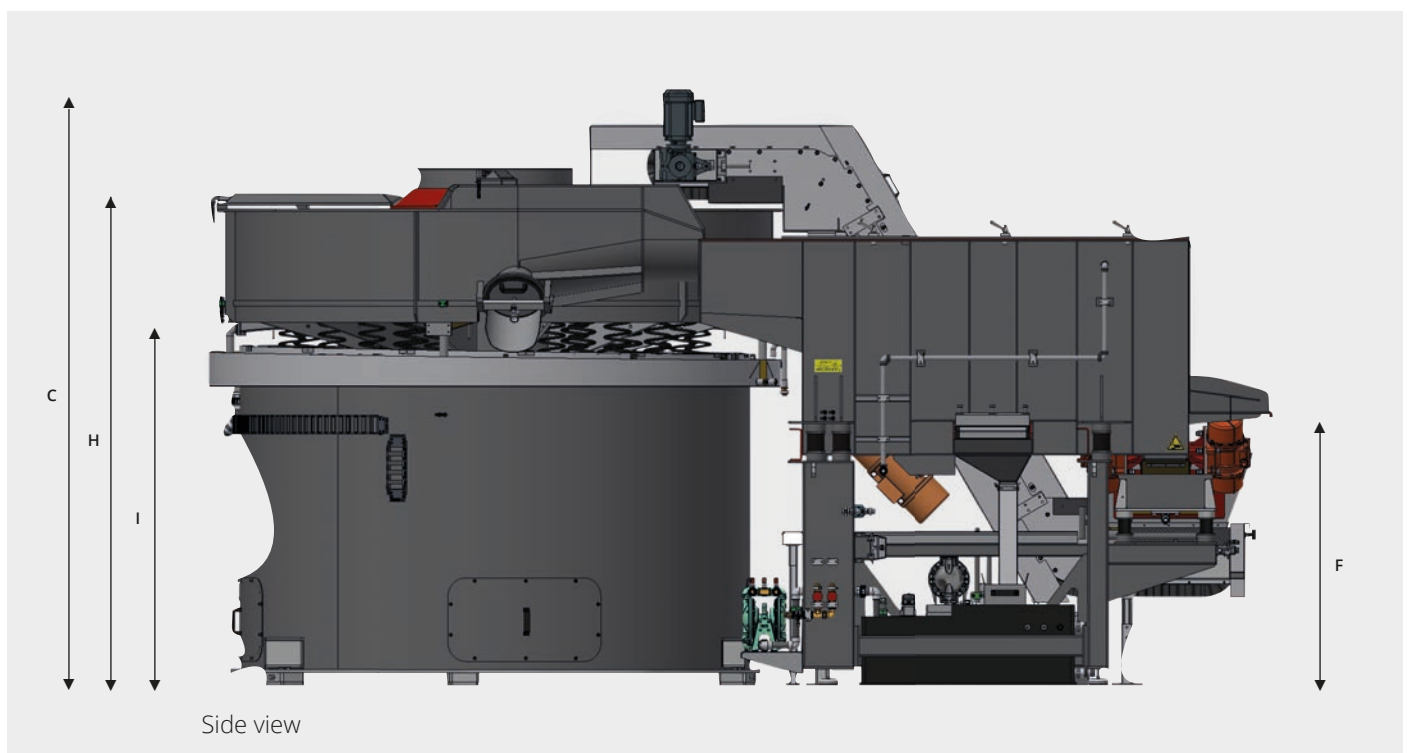
ROTOMATIC-POWER – EXCELLENT PERFORMANCE AND A SMALL FOOTPRINT

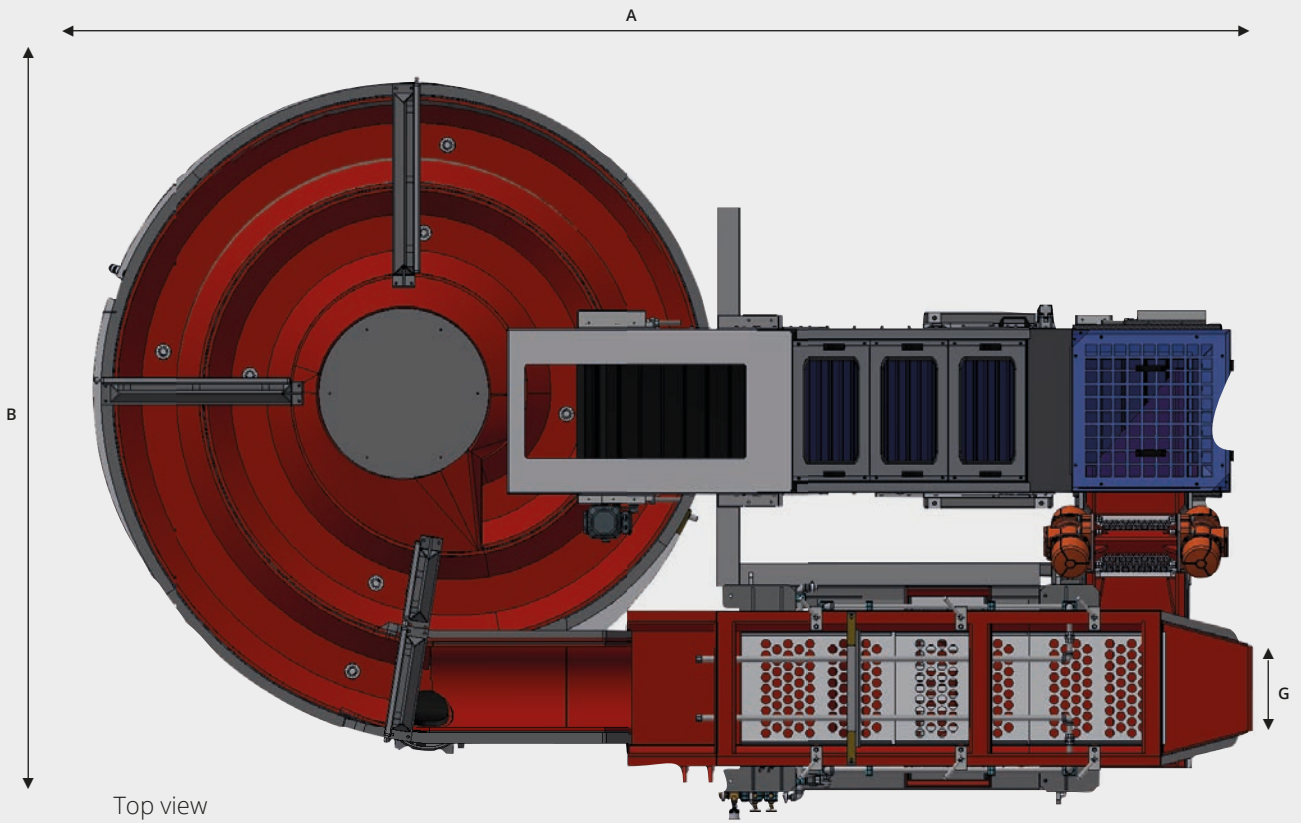
The Rotomatic systems offer excellent performance and require very little space. The range of Rotomatic systems from Rösler includes numerous models with different widths and lengths of the processing bowls. For example, the R 370/12 SE for larger

work pieces or the space-saving SI version with integrated separation screen. You can learn more about the excellent performance of these machines through a visit in one of our Customer Experience Centers (CEC).

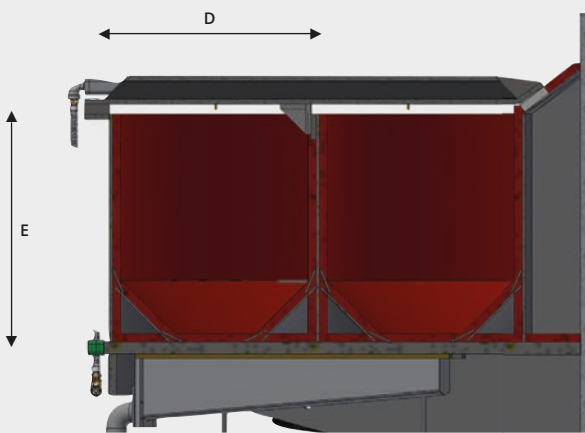
Specifications

Model	R 150/15 SE	R 200/18 SE	R 210/27 SE	R 280/24 SE	R 370/12 SE
Total length of the processing channel (m)	15	18	27	24	12
A (mm)	4,630	5,140	5,690	5,640	5,210
B (mm)	2,305	2,800	3,565	3,480	3,190
C (mm)	2,170	2,160	2,475	2,510	2,920
D (mm)	130	185	210	265	370
E (mm)	265	315	255	345	435
F (mm)	1,170	1,045	1,130	950	1,340
G (mm)	270	380	320	315	950
H (mm)	1,585	1,575	1,890	1,910	2,330
I (mm)	approx. 950	approx. 950	approx. 1,150	approx. 1,050	approx. 950
Total installed power (kW)	17	17	17	17	17
Power vibratory drive (kW)	12.5	12.5	12.5	12.5	12.5





Top view



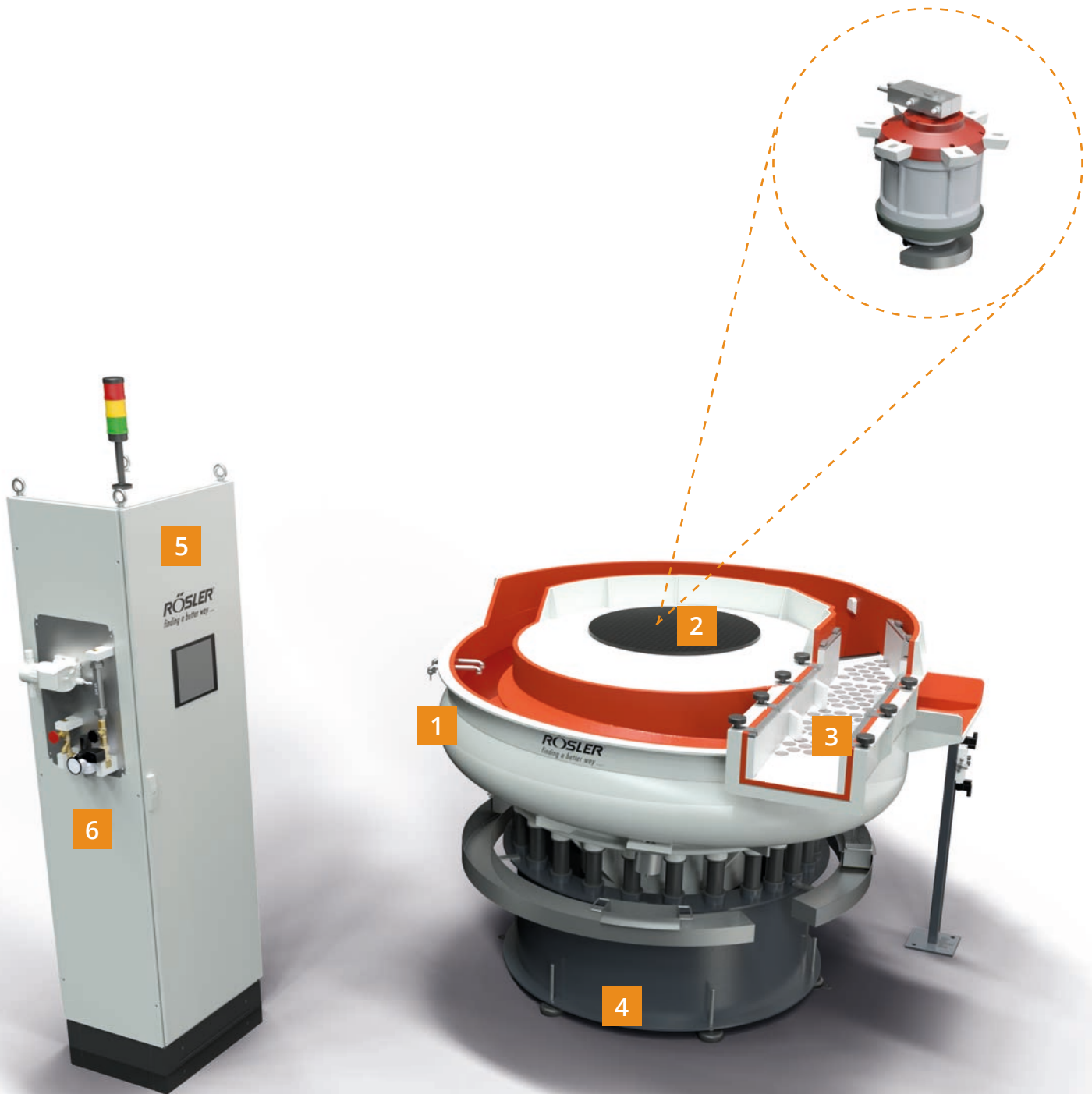
Cross section processing bowl

THE LONG RADIUS SYSTEM

Design details

Long Radius systems are characterized by a continuously ascending processing channel. This machine type offers high processing intensity and consistent, safe separation of the work pieces, irrespective of their geometrical complexity. Long

Radius systems allow the automatic finishing and separation of delicate as well as heavy and compact work pieces, such as bearing rollers.



1 Processing bowl

- ▶ Sturdy, torsion resistant weldment
- ▶ Annealed to relieve stress in the weldment
- ▶ Discharge of the process water with large and easily replaceable bottom screens
- ▶ Processing bowl sitting on special coil springs
- ▶ Discharge gate for quick media exchange
- ▶ Inspection opening at the inner dome
- ▶ Lining with wear-resistant special polyurethane

2 Vibratory drive

- ▶ Rösler direct drive, double flange vibratory motor
- ▶ Adjustable imbalance weights
- ▶ Step-free RPM adjustment with frequency inverter

3 Large separation screen

- ▶ Vibratory system, optional RPM adjustable
- ▶ Extra-long screen deck, screen change with no special tools
- ▶ Optional: Undersized media discharge screen
- ▶ Optional: Work piece rinse station over the screen deck
- ▶ Optional: Magnetic separation of ferromagnetic work pieces
- ▶ Optional: Reverse screening

4 Machine base frame

- ▶ Torsion resistant, sturdy weldment, annealed for stress relief
- ▶ Maintenance door
- ▶ Special steel channels facilitate transport of the machine
- ▶ Machine placed on vibration absorbing pads

5 Control panel

- ▶ Easy-to-operate control panel
- ▶ Optional: Control panel equipped with PLC, allowing the creation of individual processing programs, display of equipment faults, integration of other equipment in the panel
- ▶ Optional: Separation of delicate work pieces with magnetic oscillator independent from the LR machine

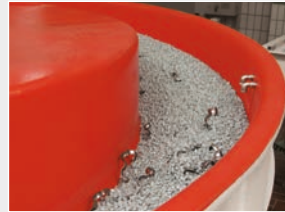
6 Central lubrication

- ▶ Optional: Electronically controlled fully automatic supply of lubricants to the vibratory motor

SPECIAL FEATURES GUARANTEE PERFECT RESULTS

Technical details that count

Multiple process water supply nozzles, evenly distributed across the entire processing channel, guarantee an absolutely consistent finishing performance. Easily replaceable water drains, placed at the lowest point of the processing channel, guarantee effective discharge of the process water from the processing bowl.



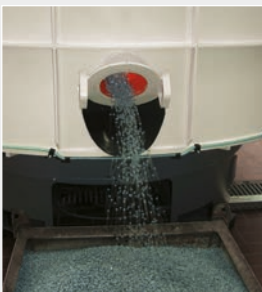
Separation

Quick-connect separation screens can be exchanged without special tools. This allows flexible adaptation to any separation task. Optional: Integrated rinse station for rinsing off the finished work pieces



Minimal setup times

A well-positioned media discharge gate allows the quick exchange of processing media.



Continuous flow or batch operation

The LR machines are equipped with a pneumatic separation gate activated from the control panel.



Work piece loading

An inlet chute, integrated into the processing bowl, facilitates loading the work pieces in continuous flow operation.



Well-engineered design

- ▶ The machine base frame consists of a sturdy weldment. It holds the coil springs, on which the freely vibrating processing bowl sits.
- ▶ Large access doors facilitate the setting of the imbalance weights and general maintenance.
- ▶ Vibration dampers minimize the transfer of vibrations at the machine location.



Comfortable working conditions

Upon special request we supply noise absorbing cabins that are custom engineered to your individual space requirements.



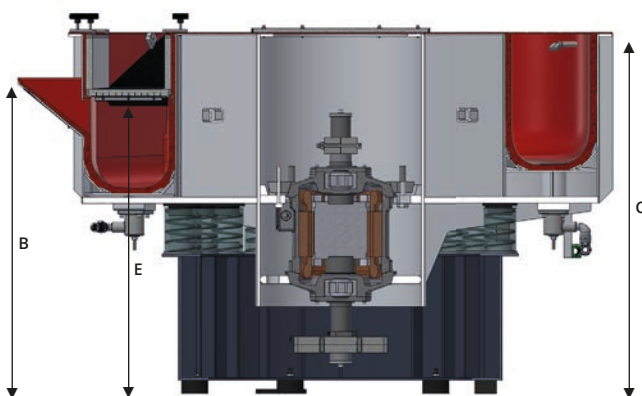
LONG RADIUS-SYSTEM – AN EXCELLENT SOLUTION AS STAND-ALONE MACHINE OR AS PART OF AN INTERLINKED SYSTEM

Long Radius systems can handle a broad range of finishing tasks. Equipped with a powerful direct-drive vibratory motor and intuitive equipment controls, LR machines are equally suitable for stand-alone operation as well as for seamless integration into automated finishing systems linked with work

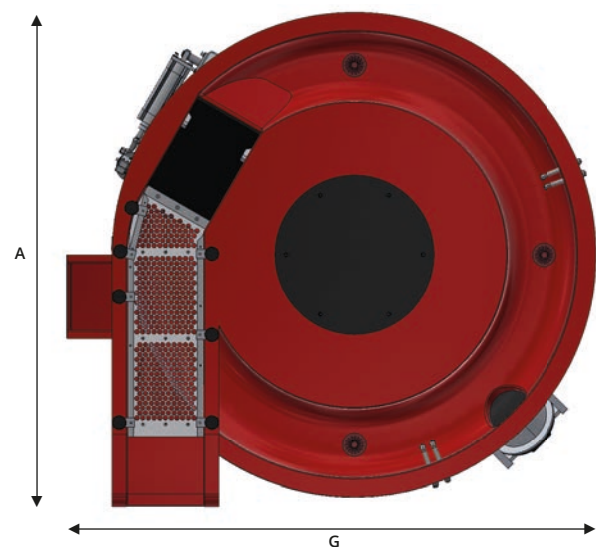
piece loading and post processing equipment. You can learn more about the excellent performance of LR machines through a visit in one of our Customer Experience Centers (CEC).

Specifications

Model	R 250/5 LR	R 310/5 LR	R 310/9 LR	R 400/9 LR	R 480/8 LR
Total length of the processing channel (mm)	5,200	5,000	9,200	8,500	8,000
A (mm)	2,075	2,075	3,430	3,055	3,300
B (mm)	1,150	1,185	1,380	1,480	1,450
C (mm)	1,340	1,355	1,780	1,850	1,675
D (mm)	240	290	320	400	480
E (mm)	1,100	1,130	1,430	1,510	1,400
F (mm)	240	320	375	390	480
G (mm)	2,230	2,230	3,510	3,405	3,200
Usable volume in liters	175	300	475	1,000	1,470
Power vibratory drive (kW)	7.5	7.5	7.5	22	22



Cross section processing bowl



Top view

CUSTOM ENGINEERED EQUIPMENT SOLUTIONS

The integration of mass finishing equipment into (fully automated) manufacturing lines is a key Rösler strength. 90 percent of the mass finishing equipment dispatched from our factories represents special solutions that were custom engineered for individual customers. Depending on the

finishing task and the desired degree of automation, various material handling systems can be utilized to create tailor-made processes. Rösler offers modular handling components, all made in-house, which meet the most demanding interlinking and automation requirements.

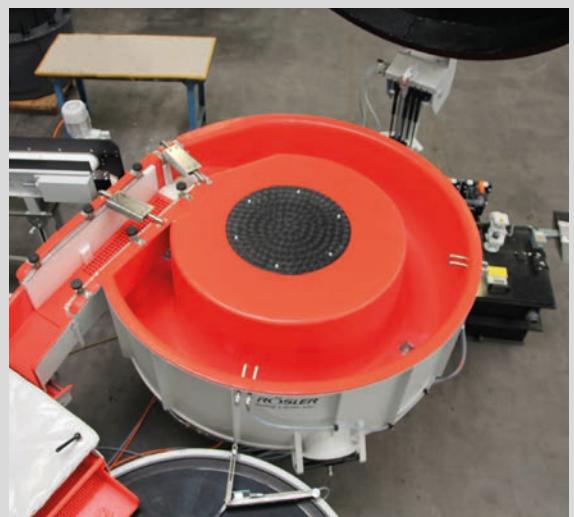
Possibilities

- ▶ Transfer of work pieces from upstream manufacturing operations
- ▶ Work piece logistics
- ▶ Robotic handling
- ▶ Integration of work piece washing and drying systems
- ▶ Control of the work piece quality
- ▶ Staging of the work pieces for downstream manufacturing operations and packaging
- ▶ Process water treatment

In addition

- ▶ Analysis of the manufacturing environment including simulations for selecting the optimal equipment components
- ▶ Cycle time analysis for determining productive and unproductive times
- ▶ Virtual reality display tools for presentation of equipment layouts

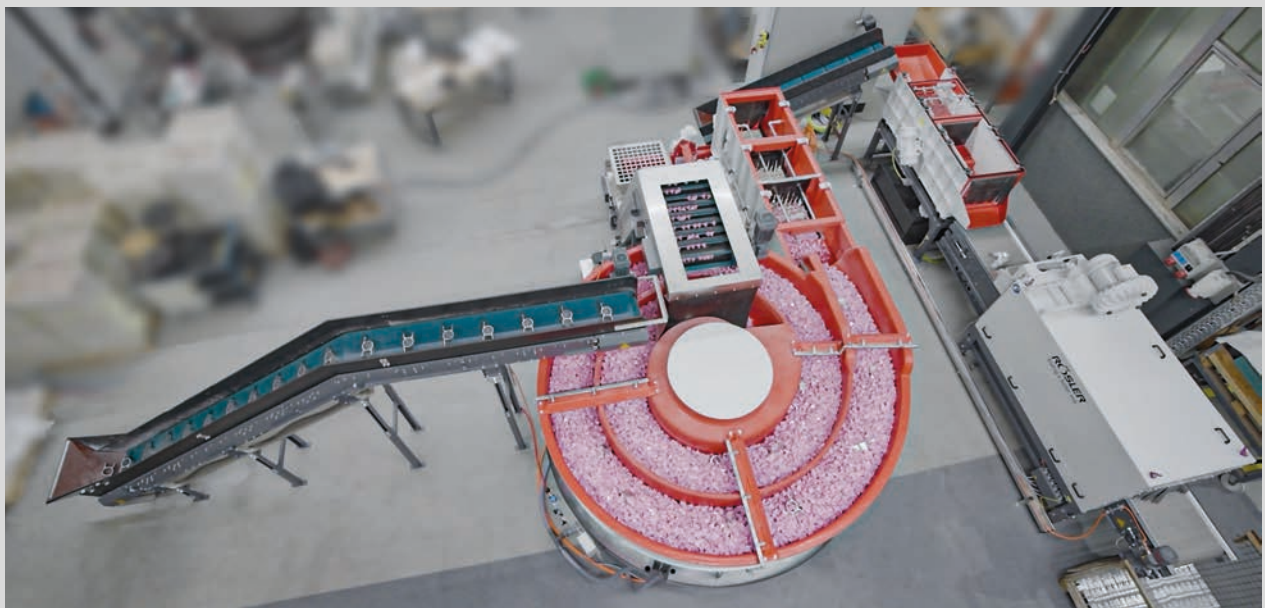
Success Stories



Long Radius for finishing stampings: The raw work pieces are continuously fed into the machine with a conveyor belt. After completion of the finishing process the work pieces are separated from the media on the integrated screening system and transferred to a rotary dryer. From the dryer they are discharged to a rotary storage table.



Linear continuous flow installation for finishing of aluminum die-castings:
After being cleaned in a drum washing machine, the work pieces are transferred to the finishing machine with a conveyor belt. Upon completion of the finishing process, they are rinsed off in a rinsing station and dried in a rotary dryer. Finally, a conveyor belt transports the finished work pieces to the next manufacturing station.



Rotomatic for finishing of aluminum die-castings:
The raw work pieces are continuously fed into the machine with a conveyor belt. After completion of the finishing process the work pieces are separated from the media in a vibratory screening unit and then transferred to a vibratory washing machine by conveyor belt. The finished work pieces are finally dried in a hot air belt dryer.

Watch the video here:

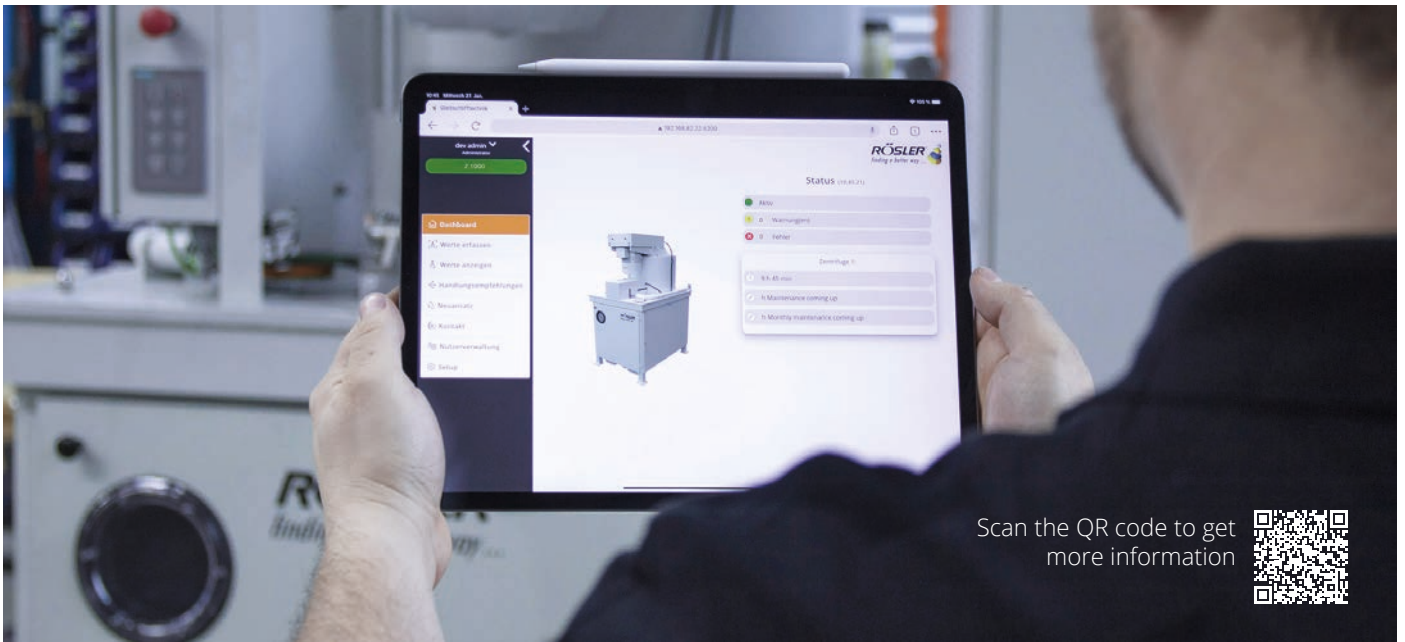


RÖSLER SMART SOLUTIONS

A digital added value to meet your challenges

Now is the time to promote the **digital transformation** and develop innovative digitization solutions. Under our new brand **Rösler Smart Solutions** we have developed a comprehensive digitization product that will allow you to **make processes**

and their parameters more transparent and to define the potential for substantial cost savings. Our package creates the **potential for optimization significant reduction of the operating costs.**



Scan the QR code to get more information



Transparency of processes and costs.



Process monitoring and recording of data.



Quick correction of deviations and faults.



Intelligent operation with uptime projections.



Optimized utilization of resources and cost reduction.

MEDIA AND COMPOUNDS

In addition to our equipment portfolio we can also offer the worldwide most comprehensive range of media and compounds, these are developed and produced in-house with the highest "made in Germany" quality. With more than 80

years of experience in the field of surface treatment we not only supply individual solutions for new finishing applications but also assist our customers to exploit the potential for product improvement and cost savings.

Developing stable processes with repeatable results is our business



The worldwide most comprehensive range of media and compounds in the market

With 15,000 individual products our consumables portfolio is by far the most comprehensive in the world. It includes ceramic and plastic grinding and polishing media, compounds and process water cleaning agents. Because of their excellent quality many of our consumables are approved for use in the aerospace, medical engineering and automotive industry. Of course, they can always be adapted to the requirements of our customers.



Our ceramic media production

Excellent quality and quick availability

We produce in compliance with strict ecological standards and our consumables production is subject to strict quality controls per DIN EN ISO 9001.

In our central warehouse we stock a minimum of 8,000 tons of media and compounds at any time. This allows us to quickly supply our customers around the world with the consumables they need.

CUSTOMER EXPERIENCE CENTER

MASS FINISHING

A major strength of the Rösler business approach is that **we look at all aspects of a finishing task**. The equipment and the processes are individually tailored to the respective finishing requirements, but also to their optimal integration into the customer's manufacturing operation. Most of the Rösler sales

branches have their own **Customer Experience Centers (CEC)**, equipped with the latest finishing equipment.

To investigate the various finishing possibilities, in our CEC we are conducting **processing trials** with the work pieces of our respective customers.



Process development and process optimization

Our all-around approach guarantees perfect finishing solutions. This includes processing trials, process development, selection of the right machinery and a professional after sales service.

In our CEC, equipped with ultra-modern equipment, we can run practically any mass finishing process.

State-of-the-art **physical and chemical measuring** equipment represents a vital tool for process development and optimization.

The entire focus of our specialists in the engineering and R & D departments is on developing **tailormade finishing solutions**.

Product development and optimization

The enormous depth of the Rösler product range, CEC around the world and our well-equipped laboratory at the Untermerzbach location in Germany are an excellent basis for the development of innovative and cost-efficient products in the field of mass finishing.

All our products, be it consumables, finishing equipment,

vibratory motors, process water cleaning centrifuges, as well as work piece handling systems and post processing equipment like dryers, are **developed and manufactured** in-house. Such a high manufacturing depth is unparalleled in our industry.

LEARNING FROM THE GLOBAL LEADER

Our comprehensive mass finishing know-how is founded on over 80 years of experience. As the global technology and market leader in the field of surface treatment we can offer proven

solutions ranging from a broad equipment and consumables portfolio to round-the-clock after-sales service. In our training seminars we are passing our extensive knowledge on to you.



Rösler Academy

The central training center of the Rösler Oberflächentechnik GmbH

- ▶ An area of more than 1,350 m² for learning and working
- ▶ Equipped with the latest digital media and communication technologies
- ▶ Certified professional trainers
- ▶ Specialized fields: Mass finishing, shot blasting, additive manufacturing
- ▶ More than 10 different training seminars
- ▶ Focus on hands-on learning
- ▶ Training seminars in German and English
- ▶ Customized training seminars at customer locations upon request

Our professional trainers

All our trainers are certified and are among the best in their respective fields. In our training seminars you will benefit from the extensive experience of our trainers, who will provide you with first-hand practical knowledge.

Ø Participants per year



Over 1,000

Ø Rating



9.6 out of 10 possible points¹

Ø Recommendation rate



99 %¹

¹ Source: Evaluation questionnaires filled out by participants, Status 31/12/2022

You can find more information about our seminars, dates and registration procedures under www.rosler-academy.com or scan the QR-Code.



Mass Finishing
Shot Blasting
AM Solutions
www.rosler.com

Germany

Rösler Oberflächentechnik GmbH
Werk Memmelsdorf
Vorstadt 1
D-96190 Untermmerzbad
Tel.: +49 9533 / 924-0
Fax: +49 9533 / 924-300
info@rosler.com

Rösler Oberflächentechnik GmbH
Werk Hausen
Hausen 1
D-96231 Bad Staffelstein
Tel.: +49 9533 / 924-0
Fax: +49 9533 / 924-300
info@rosler.com

USA

Rösler Metal Finishing USA, L.L.C.
1551 Denso Road
USA-Battle Creek
MI 49037
Tel.: +1 269 / 4413000
Fax: +1 269 / 4413001
rosler-us@rosler.com

France

Rösler France
Z.I. de la Fontaine d'Azon
CS 50513 - St. Clément
F-89105 Sens Cedex
Tel.: +33 3 / 86647979
Fax: +33 3 / 86655194
rosler-fr@rosler.com

Italy

Rösler Italiana S.r.l.
Via Elio Vittorini 10/12
I-20863 Concorezzo (MB)
Tel.: +39 039 / 611521
Fax: +39 039 / 6115232
rosler-it@rosler.com

Switzerland

Rösler Schweiz AG
Staffelbachstraße 189
Postfach 81
CH-5054 Kirchleerau
Tel.: +41 62 / 7385500
Fax: +41 62 / 7385580
rosler-ch@rosler.com

Spain

Rösler International GmbH & Co. KG
Sucursal en España
Polg. Ind. Cova Solera C/Roma, 7
E-08191 Rubí (Barcelona)
Tel.: +34 93 / 5885585
Fax: +34 93 / 5883209
rosler-es@rosler.com

Netherlands

Rösler Benelux B.V.
Reggestraat 18
NL-5347 JG Oss
Postbus 829
NL-5340 AV Oss
Tel.: +31 412 / 646600
Fax: +31 412 / 646046
rosler-nl@rosler.com

Belgium

Rösler Benelux B.V.
Avenue de Ramelot 6
Zoning Industriel
B-1480 Tubize (Saintes)
Tel.: +32 2 / 3610200
Fax: +32 2 / 3612831
rosler-be@rosler.com

Austria

Rösler Oberflächentechnik GmbH
Hetmanekgasse 15
A-1230 Wien
Tel.: +43 1 / 6985180-0
Fax: +43 1 / 6985182
rosler-at@rosler.com

Romania

Rösler Romania SRL
Str. Avram Iancu 39-43
RO-075100 Otopeni/ILFOV
Tel.: +40 21 / 352 4416
Fax: +40 21 / 352 4935
rosler-ro@rosler.com

Russia

Rösler Russland
Borovaya Str. 7, bldg. 4, office 107
111020 Moscow
Tel. / Fax: +7 495 / 247 55 80
rosler-ru@rosler.com

Great Britain

Rösler UK Ltd.
Unity Grove, School Lane
Knowsley Business Park
GB-Prescot, Merseyside L34 9GT
Tel.: +44 151 / 4820444
Fax: +44 151 / 4824400
rosler-uk@rosler.com

Brazil

Rösler Otec do Brasil LTDA
Av. Antonio Angelo Amadio, 1421
Centro Empresarial Castelo Branco
18550-000 Boituva
São Paulo - Brasil
Tel.: +55 15 / 3264-1117
Tel.: +55 15 / 3264-1112
info@rosler-otec.com.br

China

Rösler SURFACE-TECH (BEIJING) CO., LTD.
Beijing Office
Fu Hua Mansion, Office A-11-K
No. 8, Chao Yang Men North Avenue
Beijing 100027, P.R. China
Tel.: +86 10 / 6554 73 86
Fax: +86 10 / 6554 73 87
rosler-cn@rosler.com

and over 150 additional distributors
around the world



Find your contact